

# Exidor 700 series

Heavy duty high security range



## Contents

- 02 Security testing
- 03 Product selector
- 05 Single door range
- 12 Double door range
- 19 Security locking
- 20 Accessories
- 24 Keep options
- 25 Technical data
- 26 Parts list
- 27 Regulations
- 28 Glossary
- 29 Product features

## Guarantee

To support the high quality and first class engineering that has gone into our Exidor range, we provide a ten year guarantee (subject to conditions) against defects due to faulty manufacturing, workmanship or defective material. We agree to replace any defective Exidor product free of charge provided the product has been fitted in accordance with the fitting instructions and maintained correctly.

## Technical support

We're here to help with technical support.

Tel: 0845 223 2124  
email: csdcomm@assaabloy.com

[uniononline.co.uk](http://uniononline.co.uk)

# DOOR

# Exidor 700 series bolts and latches

We are a leading manufacturer of panic and emergency exit hardware and joined the UNION family in 2021. The Exidor range of products has been meeting the needs of architects, specifiers, project managers, OEMs and building managers for more than 90 years. And, we're proud to have built an unrivalled record of developing and continually enhancing a product range that's known and used all over the world.

The Exidor 700 series heavy duty high security system combines the requirements of safety and security with the functions of a panic and emergency exit device. The range has been specifically developed to meet the demands required against a physical attack without compromising safety.

The 700 series is British manufactured from high quality steel for strength and rigidity and available in both steel and timber door versions.

All products in the range are manufactured to the highest specifications and, where applicable, have been certified to the European Standards EN 1125 for panic exit or EN 179 for emergency exit devices.

The Exidor 700 series has also been approved to LPS1175 level 6 (burglary resistance test), Sold Secure Silver Standard and is suitable for high security applications.

Certified to 200,000 uses, the 700 series is available in single, two, three or four point locking, depending on the level of security required, as well as a multi-bolt version for use where emergency exit is not required. Accessories include a choice of outside access devices, locking boxes, high security cylinder escutcheons and heavy duty tower bolts.

**Finish**  
All products are available in RAL 7016 finish, stainless steel effect or, where the operating environment is highly corrosive, a solid stainless steel version is available on request.



### What does British manufacturing mean to us?

We make our products at our state-of-the-art manufacturing centre in the UK. This means we're close to our products and can ensure the quality and reliability of our product range – giving you the confidence and trust for total peace of mind.

We're proud that our products carry the Made In Britain mark.

**Tested and approved** to LPS1175 level 6 burglary resistance test and sold secure silver standard



Attacking the door with a chisel and mallet to remove the skin.



With the door skin removed, a drill is used to attack the hardware.



Inside view after 10 mins and the 4th bolt is still holding the door secure.



Inside view after 15 mins and the 4th bolt is still holding the door secure.



Inside view after 20 mins and the mechanism has jammed preventing entry.



Inside view shows the door is held closed.

**Single doors**

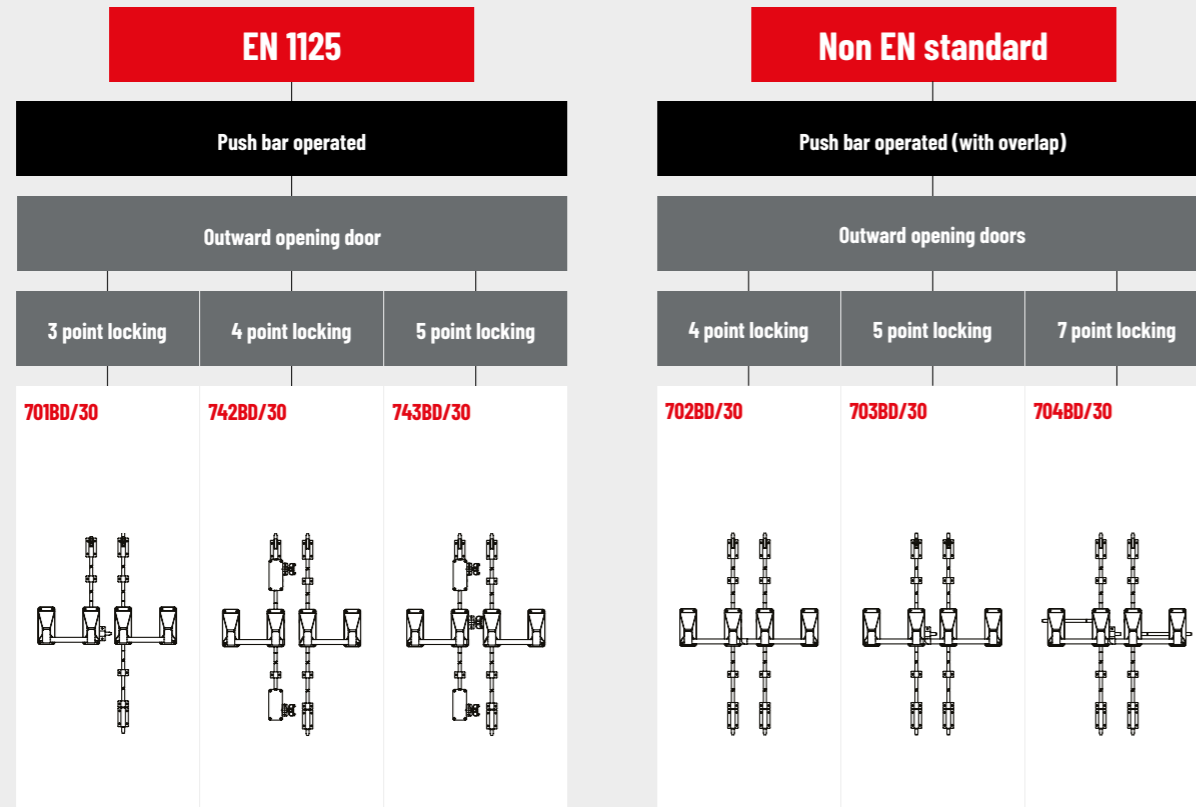
**EN 179**

Lever handle operated					
Outward opening door				Inward opening doors	
1 point locking	2 point locking	3 point locking	4 point locking	2 point locking	3 point locking
<b>701L/30</b>	<b>702L/30</b>	<b>703L/30</b>	<b>704L/30</b>	<b>732L/30</b>	<b>733L/30</b>

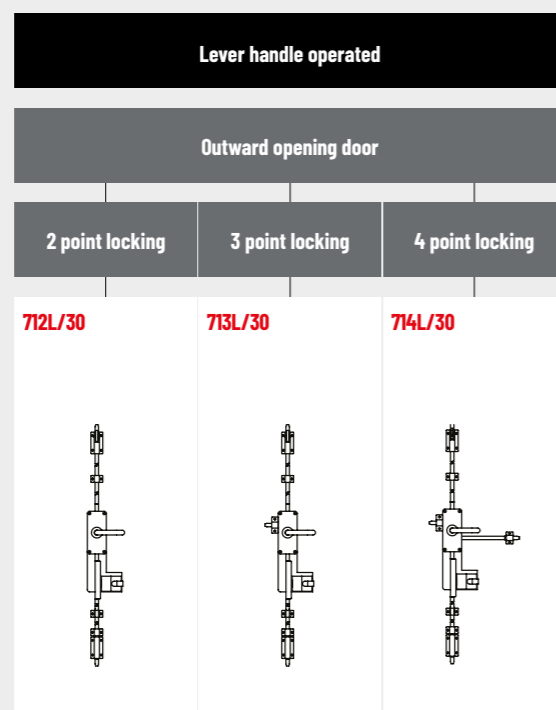
**EN 1125**

Push bar operated				
Outward opening door				
1 point locking	2 point locking	3 point locking	4 point locking	
<b>701B/30</b>	<b>702B/30</b>	<b>703B/30</b>	<b>704B/30</b>	

## Double doors



## Single doors



## Single doors 701L/30

CE MADE IN BRITAIN certifiRE  
EN 179

Single point locking outward opening doors

Classification No.	3	7	6	B	1	3	5	1	A	A
EN 179 : 2008										

- 701L/30S/LH Steel door - left handed
- 701L/30S/RH Steel door - right handed
- 701L/30T/LH Timber door - left handed
- 701L/30T/RH Timber door - right handed

The Exidor 701L/30 is a high security surface mounted emergency exit latch for outward opening single door applications. Simply depressing the lever provides safe and speedy exit in the event of an emergency. The main body is constructed from a mixture of steel and stainless steel, with steel being used for the internal components and bolts. There is also an anti-thrust latch mechanism in the main unit making it suitable for use in high security applications.

- Handed, please refer to handing diagrams on page 25
- Surface mounted
- 30mm bolt throw
- Anti-thrust latch bolt mechanism in the main body to prevent physical attack
- Steel and timber door versions available

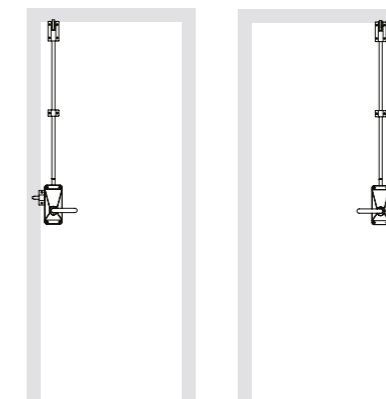


### Optional accessories for the 701L/30

- 709EC outside access device with euro cylinder - knob operated
- 709EC/NC outside access device with euro aperture - knob operated
- 710EC outside access device with euro cylinder - lever operated
- 710EC/NC outside access device with euro aperture - lever operated
- 715EC outside access device with euro cylinder - lever operated
- 715EA outside access device with euro profile aperture - lever operated

### Finishes

Available in RAL 7016, stainless steel effect, solid stainless steel. Other finishes available on request.



701L/30/LH

701L/30/RH

The top shoot mechanism allows for automatic re-latching, but the shoot does not enter the frame.



## Single doors 702L/30 / 732L/30

### Two point locking outward opening doors

Classification No.	3	7	6	B	1	3	5	1	A	A
EN 179 : 2008										

- 702L/30S** Steel door
- 702L/30T** Timber door

The Exidor 702L/30 is a high security surface mounted two point emergency exit bolt for outward opening single door applications. Incorporated as standard is an automatic top trip mechanism. The main body is constructed from a mixture of steel and stainless steel, with steel being used for the internal components and bolts. There is also an anti-thrust mechanism in the bottom bolt, making it suitable for use in high security applications.

- Non-handed
- Surface mounted
- Adjustable top and bottom bolts
- 30mm bolt throw
- Anti-thrust bottom bolt to prevent physical attack
- Steel and timber door versions available

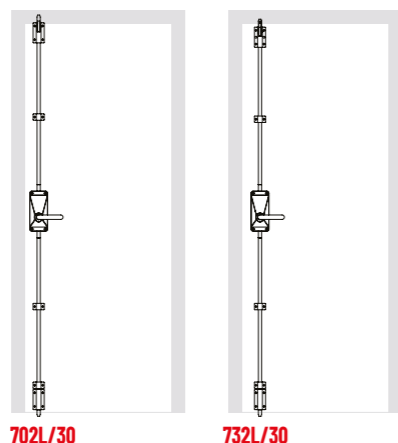
### Two point locking inward opening doors

Classification No.	3	7	6	B	1	3	5	1	A	D
EN 179 : 2008										

- 732L/30S** Steel door
- 732L/30T** Timber door

The Exidor 732L/30 offers all the security functions and convenience of the Exidor emergency exit bolt, but is suitable for use on inward opening single door applications. Simply depressing the lever provides safe and speedy exit in the event of an emergency.

- Non-handed
- Surface mounted
- Adjustable top and bottom bolts
- 30mm bolt throw
- Anti-thrust bottom bolt to prevent physical attack
- Steel and timber door versions available



702L/30

732L/30



#### Optional accessories for the 702L/30 and 732L/30

- 709EC outside access device with euro cylinder – knob operated
- 709EC/NC outside access device with euro aperture – knob operated
- 710EC outside access device with euro cylinder – lever operated
- 710EC/NC outside access device with euro aperture – lever operated
- 715EC outside access device with euro cylinder – lever operated
- 715EA outside access device with euro profile aperture – lever operated
- 705EC/LH mechanical locking box with euro half cylinder – left handed
- 705EC/RH mechanical locking box with euro half cylinder – right handed
- 705EA/LH mechanical locking box with euro aperture – left handed
- 705EA/RH mechanical locking box with euro aperture – right handed
- 705TC/LH mechanical locking box with 80mm euro profile double cylinder – left handed
- 705TC/RH mechanical locking box with 80mm euro profile double cylinder – right handed
- 705TA/LH mechanical locking box with 80mm euro aperture – left handed
- 705TA/RH mechanical locking box with 80mm euro aperture – right handed

#### Finishes

Available in RAL 7016, stainless steel effect, solid stainless steel. Other finishes available on request.



## Single doors 703L/30 / 733L/30

### Three point locking outward opening doors

Classification No.	3	7	6	B	1	3	5	1	A	A
EN 179 : 2008										

- 703L/30S** Steel door
- 703L/30T** Timber door

The Exidor 703L/30 is a high security surface mounted three point locking emergency exit bolt for outward opening single door applications. Incorporated as standard is an automatic top trip mechanism. Simply depressing the lever provides safe and speedy exit in the event of an emergency. The main body is constructed from a mixture of steel and stainless steel, with steel being used for the internal components and bolts. There is also an anti-thrust mechanism in the bottom bolt, and the latch bolt, making it suitable for use in high security applications.

- Non-handed
- Surface mounted
- Adjustable top and bottom bolts
- 30mm bolt throw
- Anti-thrust bottom bolt and latch bolt to prevent physical attack
- Steel and timber door versions available

### Three point locking inward opening doors

Classification No.	3	7	6	B	1	3	5	1	A	D
EN 179 : 2008										

- 733L/30S** Steel door
- 733L/30T** Timber door

The Exidor 733L/30 offers all the functions and convenience of the Exidor three point locking emergency exit bolt, but is suitable for use on inward opening single door applications. Simply depressing the lever provides safe and speedy exit in the event of an emergency.

- Non-handed
- Surface mounted
- Adjustable top and bottom bolts
- 30mm bolt throw
- Anti-thrust bottom bolt and latch bolt to prevent physical attack
- Steel and timber door versions available

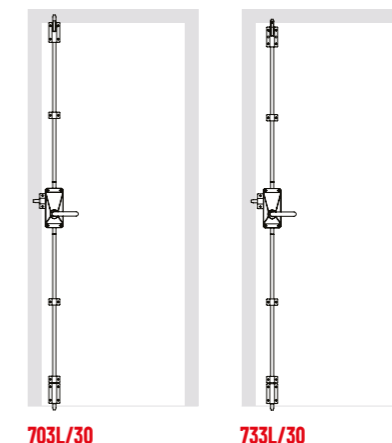


#### Optional accessories for the 703L/30 and 733L/30

- 709EC outside access device with euro cylinder – knob operated
- 709EC/NC outside access device with euro aperture – knob operated
- 710EC outside access device with euro cylinder – lever operated
- 710EC/NC outside access device with euro aperture – lever operated
- 715EC outside access device with euro cylinder – lever operated
- 715EA outside access device with euro profile aperture – lever operated
- 705EC/LH mechanical locking box with euro half cylinder – left handed
- 705EC/RH mechanical locking box with euro half cylinder – right handed
- 705EA/LH mechanical locking box with euro aperture – left handed
- 705EA/RH mechanical locking box with euro aperture – right handed
- 705TC/LH mechanical locking box with 80mm euro profile double cylinder – left handed
- 705TC/RH mechanical locking box with 80mm euro profile double cylinder – right handed
- 705TA/LH mechanical locking box with 80mm euro aperture – left handed
- 705TA/RH mechanical locking box with 80mm euro aperture – right handed

#### Finishes

Available in RAL 7016, stainless steel effect, solid stainless steel. Other finishes available on request.



703L/30

733L/30





## Single doors 704L/30

### Four point locking outward opening doors

Classification No.	3	7	6	B	1	3	5	1	A	A
EN 179 : 2008										

- 704L/30S** Steel door - left handed
- 704L/30T** Timber door - right handed

The Exidor 704L/30 is a surface mounted four point locking emergency exit bolt for outward opening single door applications. It is ideally suited to very high security applications, where emergency escape is a consideration. Incorporated as standard is an automatic top trip mechanism. Simply depressing the lever provides safe and speedy exit in the event of an emergency. The main body is constructed from a mixture of steel and stainless steel, with steel being used for the internal components and bolts. There is also an anti-thrust mechanism in the bottom bolt and the latch bolt.

- Non-handed
- Surface mounted
- Adjustable top and bottom bolts
- 30mm bolt throw
- Anti-thrust bottom bolt and latch bolt to prevent physical attack
- Steel and timber door versions available

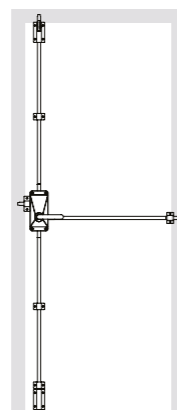


#### Optional accessories for the 704L/30

- 709EC outside access device with euro cylinder - knob operated
- 709EC/NC outside access device with euro aperture - knob operated
- 710EC outside access device with euro cylinder - lever operated
- 710EC/NC outside access device with euro aperture - lever operated
- 715EC outside access device with euro cylinder - lever operated
- 715EA outside access device with euro profile aperture - lever operated
- 705EC/LH mechanical locking box with euro half cylinder - left handed
- 705EC/RH mechanical locking box with euro half cylinder - right handed
- 705EA/LH mechanical locking box with euro aperture - left handed
- 705EA/RH mechanical locking box with euro aperture - right handed
- 705TC/LH mechanical locking box with 80mm euro profile double cylinder - left handed
- 705TC/RH mechanical locking box with 80mm euro profile double cylinder - right handed
- 705TA/LH mechanical locking box with 80mm euro aperture - left handed
- 705TA/RH mechanical locking box with 80mm euro aperture - right handed

#### Finishes

Available in RAL 7016, stainless steel effect, solid stainless steel. Other finishes available on request.



704L/30



## Single doors 701B/30

### Single point locking outward opening doors

Classification No.	3	7	6	B	1	3	5	1	A	A
EN 179 : 2008										

- 701B/30S/LH** Steel door - left handed
- 701B/30S/RH** Steel door - right handed
- 701B/30T/LH** Timber door - left handed
- 701B/30T/RH** Timber door - right handed

The Exidor 701B/30 is a high security surface mounted panic latch for outward opening single door applications, where security is a consideration. The unit is operated by a forward thrust of the crossbar to give a speedy exit in panic situations. The main body is constructed from a mixture of steel and stainless steel, with steel being used for the internal components and bolts. There is also an anti-thrust latch mechanism in the main unit making it suitable for use in security applications.

- Handed, please refer to handing diagrams on page 25
- Surface mounted
- 30mm bolt throw
- Anti-thrust latch bolt to prevent physical attack
- Steel and timber door versions available



#### Additional options

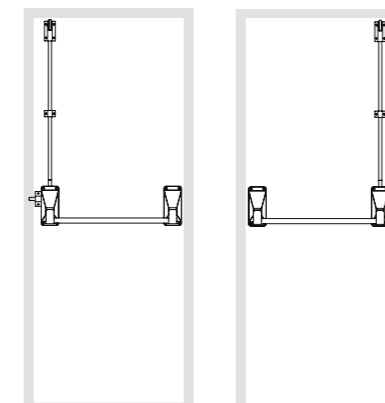
- Microswitch (suffix 'MS' after the product code)

#### Optional accessories for the 701B/30

- 709EC outside access device with euro cylinder - knob operated
- 709EC/NC outside access device with euro aperture - knob operated
- 710EC outside access device with euro cylinder - lever operated
- 710EC/NC outside access device with euro aperture - lever operated
- 715EC outside access device with euro cylinder - lever operated
- 715EA outside access device with euro profile aperture - lever operated

#### Finishes

Available in RAL 7016, stainless steel effect, solid stainless steel. Other finishes available on request.



701B/30/LH

701B/30/RH

The top shoot mechanism allows for automatic re-latching, but the shoot does not enter the frame.



## Single doors 702B/30

### Single point locking outward opening doors

Classification No.	3	7	6	B	1	3	2	1	A	A
EN 1125 - 2008										

<b>702B/30S</b>	Steel door
<b>702B/30T</b>	Timber door

The Exidor 702B/30 is a high security surface mounted two point panic bolt for outward opening single door applications. Incorporated as standard is an automatic top trip mechanism. The main body is constructed from a mixture of steel and stainless steel, with steel being used for the internal components and bolts. There is also an anti-thrust mechanism in the bottom bolt making it suitable for use in high security applications.

- Non-handed
- Surface mounted
- Adjustable top and bottom bolts
- 30mm bolt throw
- Anti-thrust bottom bolt to prevent physical attack
- Steel and timber door versions available



#### Additional options

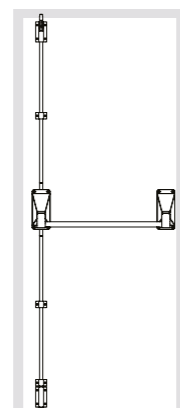
- Microswitch (suffix 'MS' after the product code)

#### Optional accessories for the 702B/30

- 709EC outside access device with euro cylinder – knob operated
- 709EC/NC outside access device with euro aperture – knob operated
- 710EC outside access device with euro cylinder – lever operated
- 710EC/NC outside access device with euro aperture – lever operated
- 715EC outside access device with euro cylinder – lever operated
- 715EA outside access device with euro profile aperture – lever operated
- 705EC/LH mechanical locking box with euro half cylinder – left handed
- 705EC/RH mechanical locking box with euro half cylinder – right handed
- 705EA/LH mechanical locking box with euro aperture – left handed
- 705EA/RH mechanical locking box with euro aperture – right handed
- 705TC/LH mechanical locking box with 80mm euro profile double cylinder – left handed
- 705TC/RH mechanical locking box with 80mm euro profile double cylinder – right handed
- 705TA/LH mechanical locking box with 80mm euro double cylinder aperture – left handed
- 705TA/RH mechanical locking box with 80mm euro double cylinder aperture – right handed

#### Finishes

Available in RAL 7016, stainless steel effect, solid stainless steel. Other finishes available on request.



702B/30



## Single doors 703B/30

### Three point locking outward opening doors

Classification No.	3	7	6	B	1	3	2	1	A	A
EN 1125 - 2008										

<b>703B/30S</b>	Steel door
<b>703B/30T</b>	Timber door

The Exidor 703B/30 is a high security surface mounted three point panic bolt for outward opening single door applications. Incorporated as standard is an automatic top trip mechanism. The unit is operated by a forward thrust of the crossbar to give a speedy exit in panic situations. The main body is constructed from a mixture of steel and stainless steel, with steel being used for the internal components and bolts. There is also an anti-thrust mechanism in the bottom bolt and the latch bolt making it suitable for use in high security applications.

- Non-handed
- Surface mounted
- Adjustable top and bottom bolts
- 30mm bolt throw
- Anti-thrust latch bolt and bottom bolt to prevent physical attack
- Steel and timber door versions available



#### Additional options

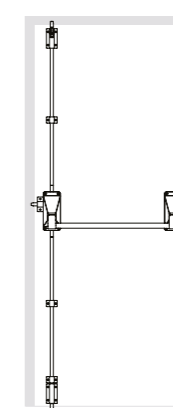
- Microswitch (suffix 'MS' after the product code)

#### Optional accessories for the 703B/30

- 709EC outside access device with euro cylinder – knob operated
- 709EC/NC outside access device with euro aperture – knob operated
- 710EC outside access device with euro cylinder – lever operated
- 710EC/NC outside access device with euro aperture – lever operated
- 715EC outside access device with euro cylinder – lever operated
- 715EA outside access device with euro profile aperture – lever operated
- 705EC/LH mechanical locking box with euro half cylinder – left handed
- 705EC/RH mechanical locking box with euro half cylinder – right handed
- 705EA/LH mechanical locking box with euro aperture – left handed
- 705EA/RH mechanical locking box with euro aperture – right handed
- 705TC/LH mechanical locking box with 80mm euro profile double cylinder – left handed
- 705TC/RH mechanical locking box with 80mm euro profile double cylinder – right handed
- 705TA/LH mechanical locking box with 80mm euro double cylinder aperture – left handed
- 705TA/RH mechanical locking box with 80mm euro double cylinder aperture – right handed

#### Finishes

Available in RAL 7016, stainless steel effect, solid stainless steel. Other finishes available on request.



703B/30



## Single doors 704B/30

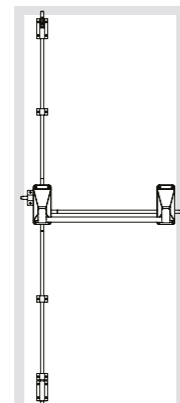
Four point locking outward opening doors

Classification No.	3	7	6	B	1	3	2	1	A	A
EN 1125 - 2008										

- 704B/30S** Steel door
- 704B/30T** Timber door

The Exidor 704B/30 is a surface mounted four point locking panic bolt for outward opening single door applications. It is ideally suited to very high security applications, where panic escape is a consideration. Incorporated as standard is an automatic top trip mechanism. The main body is constructed from a mixture of steel and stainless steel, with steel being used for the internal components and bolts. There is also an anti-thrust mechanism in the bottom bolt and the latch bolt.

- Non-handed
- Surface mounted
- Adjustable top and bottom bolts
- 30mm bolt throw
- Anti-thrust latch bolt and bottom bolt to prevent physical attack
- Steel and timber door versions available



704B/30



## Double doors 701BD/30

Three point locking outward opening doors

Classification No.	3	7	6	B	1	3	2	1	A	A
EN 1125 - 2008										

- 701BD/30S/LH** Steel door - left handed
- 701BD/30S/RH** Steel door - right handed
- 701BD/30T/LH** Timber door - left handed
- 701BD/30T/RH** Timber door - right handed

The Exidor 701BD/30 for double doors is a high security complete package consisting of a panic latch (701B/30), a two point panic bolt (702B/30) and a centre bolt keep (PHS006). The unit is certified to EN1125:2008 and is suitable for double door applications, where security is a consideration. The main body is constructed from a mixture of steel and stainless steel, with steel being used for the internal components and bolts. There is also an anti-thrust mechanism in the bottom bolt and the latch bolt making it suitable for use in security applications.

- Handed, please refer to handing diagrams on page 25
- Surface mounted
- Adjustable top and bottom bolts
- 30mm bolt throw
- Anti-thrust latch bolt and bottom bolt to prevent physical attack
- Steel and timber door versions available

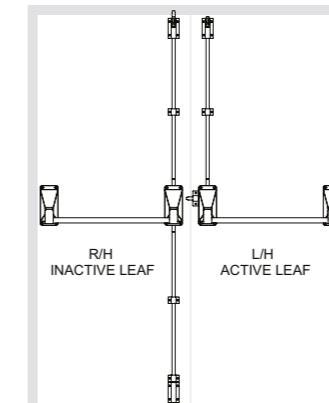


**Additional options**

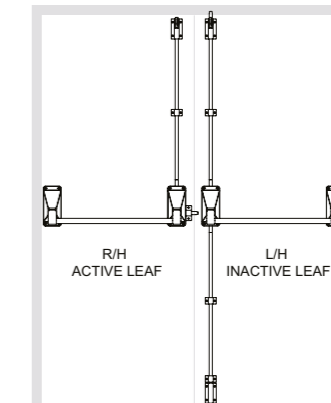
- Microswitch (suffix 'MS' after the product code)

- Optional accessories for the 701BD/30**
- 709EC outside access device with euro cylinder - knob operated
  - 709EC/NC outside access device with euro aperture - knob operated
  - 710EC outside access device with euro cylinder - lever operated
  - 710EC/NC outside access device with euro aperture - lever operated
  - 715EC outside access device with euro cylinder - lever operated
  - 715EA outside access device with euro profile aperture - lever operated
  - 705EC/LH mechanical locking box with euro half cylinder - left handed
  - 705EC/RH mechanical locking box with euro half cylinder - right handed
  - 705EA/LH mechanical locking box with euro aperture - left handed
  - 705EA/RH mechanical locking box with euro aperture - right handed
  - 705TC/LH mechanical locking box with 80mm euro profile double cylinder - left handed
  - 705TC/RH mechanical locking box with 80mm euro profile double cylinder - right handed
  - 705TA/LH mechanical locking box with 80mm euro double cylinder aperture - left handed
  - 705TA/RH mechanical locking box with 80mm euro double cylinder aperture - right handed

**Finishes**  
Available in RAL 7016, stainless steel effect, solid stainless steel. Other finishes available on request.



701BD/30/LH (Left handed active)



701BD/30/RH (Right handed active)

The top shoot mechanism on single point allows for automatic re-latching, but the shoot does not enter the frame.





## Rebated double doors 742BD/30

Four point locking outward opening doors

Classification No.	3	7	6	B	1	3	2	1	A	A
EN 1125 : 2008										

- 742BD/30S** Steel door
- 742BD/30T** Timber door

The Exidor 742BD/30 for rebated double doors is a high security complete package offering secure four point locking and incorporates the new horizontal locking mechanism. This allows the unit to be certified to EN1125:2008 and it is suitable for rebated double door applications where security is a consideration. The main body is constructed from a mixture of steel and stainless steel with steel being used for the internal components and bolts. There is also an anti-thrust mechanism in the horizontal bolts, increasing the products resistance to attack.

- CE Marked
- Non-handed
- Surface mounted
- Adjustable top and bottom bolts
- 30mm bolt throw
- Anti-thrust bottom and horizontal bolts to prevent physical attack



**Additional options**

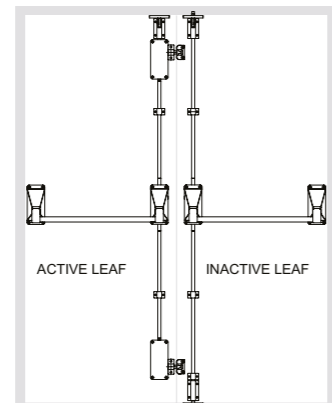
- Microswitch (suffix 'MS' after the product code)

**Optional accessories for the 704BD/30**

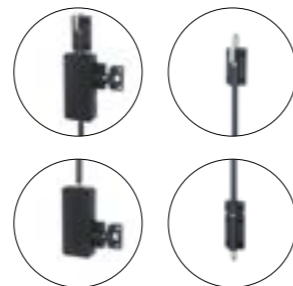
- 709EC outside access device with euro cylinder – knob operated
- 709EC/NC outside access device with euro aperture – knob operated
- 710EC outside access device with euro cylinder – lever operated
- 710EC/NC outside access device with euro aperture – lever operated
- 715EC outside access device with euro cylinder – lever operated
- 715EA outside access device with euro profile aperture – lever operated
- 705EC/LH mechanical locking box with euro half cylinder – left handed
- 705EC/RH mechanical locking box with euro half cylinder – right handed
- 705EA/LH mechanical locking box with euro aperture – left handed
- 705EA/RH mechanical locking box with euro aperture – right handed
- 705TC/LH mechanical locking box with 80mm euro profile double cylinder – left handed
- 705TC/RH mechanical locking box with 80mm euro profile double cylinder – right handed
- 705TA/LH mechanical locking box with 80mm euro double cylinder aperture – left handed
- 705TA/RH mechanical locking box with 80mm euro double cylinder aperture – right handed

**Finishes**

Available in RAL 7016, stainless steel effect, solid stainless steel. Other finishes available on request.



742BD/30



## Rebated double doors 743BD/30

Five point locking outward opening doors

Classification No.	3	7	6	B	1	3	2	1	A	A
EN 1125 : 2008										

- 743BD/30S** Steel door
- 743BD/30T** Timber door

The Exidor 743BD/30 for rebated double doors is a complete package offering high security five point locking and incorporates the new horizontal locking mechanism. This allows the unit to be certified to EN1125:2008 and it is suitable for double door applications where a high level of security is a consideration. The main body is constructed from a mixture of steel and stainless steel with steel being used for the internal components and bolts. There is also an anti-thrust mechanism in the latch bolt and the horizontal bolts, increasing the products resistance to attack.

- CE Marked
- Non-handed
- Surface mounted
- Adjustable top and bottom bolts
- 30mm bolt throw
- Anti-thrust bottom and horizontal bolts to prevent physical attack



**Additional options**

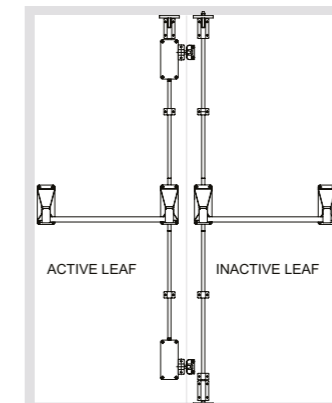
- Microswitch (suffix 'MS' after the product code)

**Optional accessories for the 704BD/30**

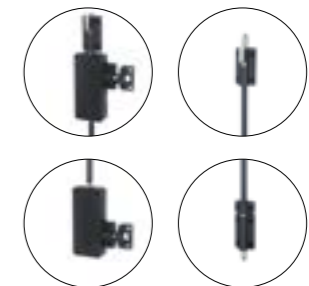
- 709EC outside access device with euro cylinder – knob operated
- 709EC/NC outside access device with euro aperture – knob operated
- 710EC outside access device with euro cylinder – lever operated
- 710EC/NC outside access device with euro aperture – lever operated
- 715EC outside access device with euro cylinder – lever operated
- 715EA outside access device with euro profile aperture – lever operated
- 705EC/LH mechanical locking box with euro half cylinder – left handed
- 705EC/RH mechanical locking box with euro half cylinder – right handed
- 705EA/LH mechanical locking box with euro aperture – left handed
- 705EA/RH mechanical locking box with euro aperture – right handed
- 705TC/LH mechanical locking box with 80mm euro profile double cylinder – left handed
- 705TC/RH mechanical locking box with 80mm euro profile double cylinder – right handed
- 705TA/LH mechanical locking box with 80mm euro double cylinder aperture – left handed
- 705TA/RH mechanical locking box with 80mm euro double cylinder aperture – right handed

**Finishes**

Available in RAL 7016, stainless steel effect, solid stainless steel. Other finishes available on request.



743BD/30



## Double doors 702BD/30

Four point locking outward opening doors

Classification No.	3	7	6	B	1	3	2	1	A	A
EN 1125 : 2008										

- 702BD/30S** Steel door
- 702BD/30T** Timber door

The Exidor 702BD/30 for double doors is a high security complete package consisting of a pair of two point panic bolts (702B/30). This unit cannot be CE marked\* as it uses an overlapping crossbar system between the units. However, it is suitable for door applications, where security is a consideration. The main body is constructed from a mixture of steel and stainless steel, with steel being used for the internal components and bolts. There is also an anti-thrust mechanism in the bottom bolts making it suitable for use in high security applications.

- Non-handed
- Surface mounted
- Adjustable top and bottom bolts
- 30mm bolt throw
- Anti-thrust bottom bolts to prevent physical attack
- Steel and timber door versions available

MADE IN BRITAIN



### Additional options

- Microswitch (suffix 'MS' after the product code)

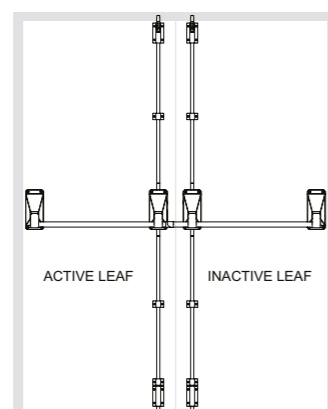
### Optional accessories for the 702BD/30

- 709EC outside access device with euro cylinder – knob operated
- 709EC/NC outside access device with euro aperture – knob operated
- 710EC outside access device with euro cylinder – lever operated
- 710EC/NC outside access device with euro aperture – lever operated
- 715EC outside access device with euro cylinder – lever operated
- 715EA outside access device with euro profile aperture – lever operated
- 705EC/LH mechanical locking box with euro half cylinder – left handed
- 705EC/RH mechanical locking box with euro half cylinder – right handed
- 705EA/LH mechanical locking box with euro aperture – left handed
- 705EA/RH mechanical locking box with euro aperture – right handed
- 705TC/LH mechanical locking box with 80mm euro profile double cylinder – left handed
- 705TC/RH mechanical locking box with 80mm euro profile double cylinder – right handed
- 705TA/LH mechanical locking box with 80mm euro double cylinder aperture – left handed
- 705TA/RH mechanical locking box with 80mm euro double cylinder aperture – right handed

### Finishes

Available in RAL 7016, stainless steel effect, solid stainless steel. Other finishes available on request.

\*This product is not CE marked and cannot be used on escape doors within the EU



702BD/30

## Double doors 703BD/30

Five point locking outward opening doors

Classification No.	3	7	6	B	1	3	2	1	A	A
EN 1125 : 2008										

- 703BD/30S** Steel door
- 703BD/30T** Timber door

The Exidor 703BD/30 for double doors is a high security complete package consisting of a two point panic bolt (702B/30), a three point locking panic bolt (703B/30) and a centre bolt keep (PHS006). This unit cannot be CE marked\* as it uses an overlapping crossbar system between the units. However, it is suitable for door applications, where security is a consideration. The main body is constructed from a mixture of steel and stainless steel, with steel being used for the internal components and bolts. There is also an anti-thrust mechanism in the bottom bolt and the latch bolt making it suitable for use in high security applications.

- Non-handed
- Surface mounted
- Adjustable top and bottom bolts
- 30mm bolt throw
- Anti-thrust bottom bolts and latch bolt to prevent physical attack
- Steel and timber door versions available

MADE IN BRITAIN



### Additional options

- Microswitch (suffix 'MS' after the product code)

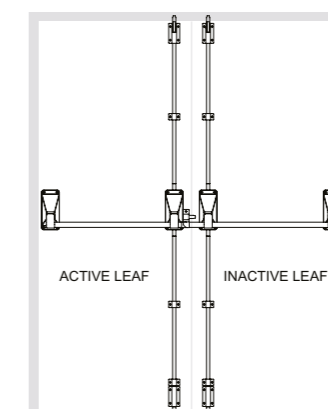
### Optional accessories for the 703BD/30

- 709EC outside access device with euro cylinder – knob operated
- 709EC/NC outside access device with euro aperture – knob operated
- 710EC outside access device with euro cylinder – lever operated
- 710EC/NC outside access device with euro aperture – lever operated
- 715EC outside access device with euro cylinder – lever operated
- 715EA outside access device with euro profile aperture – lever operated
- 705EC/LH mechanical locking box with euro half cylinder – left handed
- 705EC/RH mechanical locking box with euro half cylinder – right handed
- 705EA/LH mechanical locking box with euro aperture – left handed
- 705EA/RH mechanical locking box with euro aperture – right handed
- 705TC/LH mechanical locking box with 80mm euro profile double cylinder – left handed
- 705TC/RH mechanical locking box with 80mm euro profile double cylinder – right handed
- 705TA/LH mechanical locking box with 80mm euro double cylinder aperture – left handed
- 705TA/RH mechanical locking box with 80mm euro double cylinder aperture – right handed

### Finishes

Available in RAL 7016, stainless steel effect, solid stainless steel. Other finishes available on request.

\*This product is not CE marked and cannot be used on escape doors within the EU



703BD/30

## Double doors 704BD/30

MADE IN BRITAIN

### Five point locking outward opening doors

Classification No.	3	7	6	B	1	3	2	1	A	A
EN 1125 : 2008										

<b>704BD/30S</b>	Steel door
<b>704BD/30T</b>	Timber door

The Exidor 704BD/30 for double doors is a complete high security package consisting of a four point locking panic bolt (704B/30), a reverse three point locking panic bolt (703B/30) and a centre bolt keep (PHS006). This unit cannot be CE marked\* as it uses an overlapping crossbar system between the units. However, it is suitable for door applications, where security is a consideration. The main body is constructed from a mixture of steel and stainless steel, with steel being used for the internal components and bolts. There is also an anti-thrust mechanism in the bottom bolts and the latch bolt making it suitable for use in very high security applications.

- Non-handed
- Surface mounted
- Adjustable top and bottom bolts
- 30mm bolt throw
- Anti-thrust bottom bolts and latch bolt to prevent physical attack
- Steel and timber door versions available



#### Additional options

- Microswitch (suffix 'MS' after the product code)

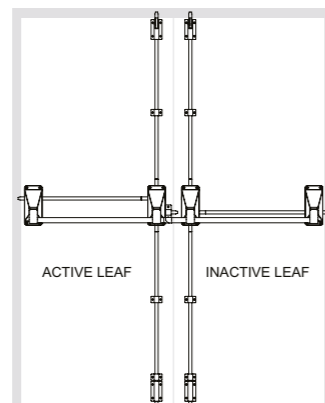
#### Optional accessories for the 703BD/30

- 709EC outside access device with euro cylinder – knob operated
- 709EC/NC outside access device with euro aperture – knob operated
- 710EC outside access device with euro cylinder – lever operated
- 710EC/NC outside access device with euro aperture – lever operated
- 715EC outside access device with euro cylinder – lever operated
- 715EA outside access device with euro profile aperture – lever operated
- 705EC/LH mechanical locking box with euro half cylinder – left handed
- 705EC/RH mechanical locking box with euro half cylinder – right handed
- 705EA/LH mechanical locking box with euro aperture – left handed
- 705EA/RH mechanical locking box with euro aperture – right handed
- 705TC/LH mechanical locking box with 80mm euro profile double cylinder – left handed
- 705TC/RH mechanical locking box with 80mm euro profile double cylinder – right handed
- 705TA/LH mechanical locking box with 80mm euro double cylinder aperture – left handed
- 705TA/RH mechanical locking box with 80mm euro double cylinder aperture – right handed

#### Finishes

Available in RAL 7016, stainless steel effect, solid stainless steel. Other finishes available on request.

\*This product is not CE marked and cannot be used on escape doors within the EU



704BD/30

## Automatic multi-point deadlock 702L / 703L / 704L

New to the 700 series range is the Exidor automatic deadlocking multi-point lock with lever handle. Designed for use in applications such as atm rooms, the multi-point lock automatically deadlocks when the door shuts, ensuring that a key or thumb turn is always required to open the door. The deadlocking box uses an offset thumb turn euro profile cylinder. This product is unsuitable for use on doors where panic and emergency exit may be required. The product is supplied complete with a locking box and two, three or four point lock with lever handle. Please note that this product is handed according to the illustrations on page 22.

#### Performance

The unit will automatically deadlock when the door closes, ensuring a high level of security. The key or thumb turn is always required to unlock the mechanism from either side to allow the door to be opened.

#### Two point locking with euro profile thumb turn cylinder:

<b>702L/30S/DEC/LH</b>	Steel door - left handed
<b>702L/30S/DEC/RH</b>	Steel door - right handed
<b>702L/30T/DEC/LH</b>	Timber door - left handed
<b>702L/30T/DEC/RH</b>	Timber door - right handed

#### Two point locking with euro profile aperture:

<b>702L/30S/DEA/LH</b>	Steel door - left handed
<b>702L/30S/DEA/RH</b>	Steel door - right handed
<b>702L/30T/DEA/LH</b>	Timber door - left handed
<b>702L/30T/DEA/RH</b>	Timber door - right handed

#### Three point locking with euro profile thumb turn cylinder:

<b>703L/30S/DEC/LH</b>	Steel door - left handed
<b>703L/30S/DEC/RH</b>	Steel door - right handed
<b>703L/30T/DEC/LH</b>	Timber door - left handed
<b>703L/30T/DEC/RH</b>	Timber door - right handed

#### Three point locking with euro profile aperture:

<b>703L/30S/DEA/LH</b>	Steel door - left handed
<b>703L/30S/DEA/RH</b>	Steel door - right handed
<b>703L/30T/DEA/LH</b>	Timber door - left handed
<b>703L/30T/DEA/RH</b>	Timber door - right handed

#### Four point locking with euro profile thumb turn cylinder:

<b>704L/30S/DEC/LH</b>	Steel door - left handed
<b>704L/30S/DEC/RH</b>	Steel door - right handed
<b>704L/30T/DEC/LH</b>	Timber door - left handed
<b>704L/30T/DEC/RH</b>	Timber door - right handed

#### Four point locking with euro profile aperture:

<b>704L/30S/DEA/LH</b>	Steel door - left handed
<b>704L/30S/DEA/RH</b>	Steel door - right handed
<b>704L/30T/DEA/LH</b>	Timber door - left handed
<b>704L/30T/DEA/RH</b>	Timber door - right handed





## Outside access devices

All the Exidor 700 series outside access devices (oad's) have been certified for use with the Exidor 700 series range of high security panic and emergency exit hardware. The use of any other OAD will invalidate the CE marking on these products.

### 709 Knob operated outside access device

The Exidor 709 is supplied either with or without cylinder, and has the advantage that a high security master keyed 45mm half euro profile cylinder can be used. Suitable for use with the Exidor 700 series, this oad is manufactured from stainless steel which helps prevent force and drill attack, and incorporates cylinder protection to prevent manipulation.

- Non-handed
- Suitable for high security applications
- Surface mounted on the outside of the door using concealed machine screws
- Available with or without cylinder
- When ordered with the cylinder, three keys are supplied as standard
- Supplied as standard for doors up to 45mm thick
- Longer spindles available on request for door thicknesses over 45mm

#### Performance

When locked, the mechanism is disengaged allowing the knob or lever to rotate freely. When unlocked, the knob or lever, spindle and mechanism engage allowing the bolts to be withdrawn from the outside. The knob or lever remains engaged until it is re-locked.

#### Finishes

Available in RAL7016 and solid stainless steel. Other finishes available on request.

### 710 Lever operated outside access device

The Exidor 710 is supplied either with or without cylinder, and has the advantage that a high security master keyed 45mm half euro profile cylinder can be used. Suitable for use with the Exidor 700 series, this oad is manufactured from stainless steel which helps prevent force and drill attack, and incorporates cylinder protection to prevent manipulation.

- Non-handed
- Meets the dimensional requirements of BS8300 and approved document "m" (equality act)
- Suitable for high security applications
- Surface mounted on the outside of the door using concealed machine screws
- Available with or without cylinder
- When ordered with the cylinder, three keys are supplied as standard
- Supplied as standard for doors up to 45mm thick
- Longer spindles available on request for door thicknesses over 45mm



709EC

#### Options available

- 709EC knob operated OAD with euro cylinder
- 709EC/NC knob operated OAD with euro profile aperture



710EC

#### Options available

- 710EC lever operated OAD with euro cylinder
- 710EC/NC lever operated OAD with euro profile aperture



### 715 Lever operated high security outside access device

The Exidor 715 is a high security outside access device designed to work with Exidor's 700 series panic and emergency escape hardware. Manufactured primarily from solid stainless steel which helps to prevent force and drill attacks, the unit offers a multitude of additional internal features also designed to resist external attack. These security features include anti-drill shields, anti-drill cylinder guard and partial recessing for additional protection.

- Non-handed
- Suitable for high security environments
- Tested to LPS1175 SR4\*
- Major attack line protected with high-security technology
- Cylinder protected for drilling and shock impacts
- Recessed body with protective skirt
- Surface mounted on the outside of the door using concealed machine screws
- Non-handed
- Three keys are supplied as standard, when the unit is ordered with a cylinder
- Supplied as standard to suit doors thickness 44mm - 69mm
- Longer spindles available on request for door thicknesses over 69mm
- Key retention option

\* Tested on selected doorsets. Full performance can only be assured if used in conjunction with relating internal hardware and doorset.

#### Performance

When locked, the lever is fixed in the horizontal position and is designed to break under excessive force to prevent unauthorised entry. When unlocked, the lever is free to rotate and engage the mechanism allowing the shoots to be withdrawn from the outside. The lever remains engaged until the mechanism is re-locked.

#### Finishes

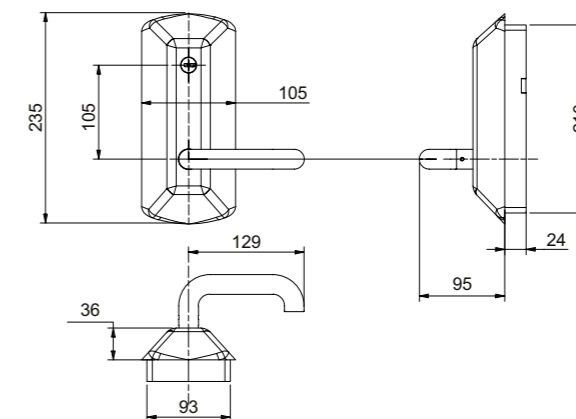
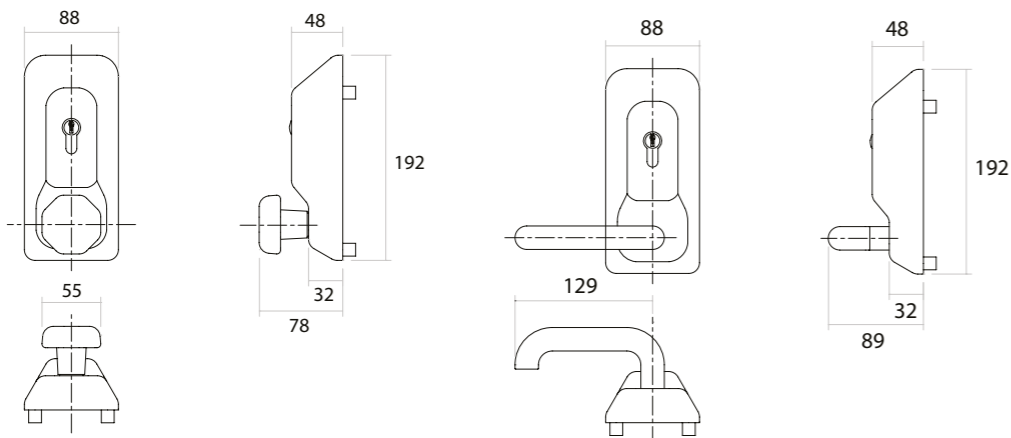
Available in RAL 7016 and solid stainless steel. Other finishes available on request.



715

#### Options available

- 715EC lever OAD with euro cylinder
- 715EA lever OAD with euro aperture - no cylinder
- 715EC/RK lever OAD with restricted key withdrawal and euro cylinder
- 715EA/RK lever OAD with restricted key withdrawal and euro aperture - no cylinder







## Locking box 705

In the unlocked position this product meets all the requirements of EN 179 and EN 1125 when fitted to panic and emergency hardware. However, when locked it will invalidate the CE marking of the panic hardware. Please check with local laws and fire authorities to ensure compliance with local requirements and ensure a safe system of work is in place.

The Exidor 705 locking box allows the Exidor 700 series range of heavy duty panic, emergency and high security locking products to be deadlocked. This enhances the security of the products from outside the door and also ensures that the door cannot be opened, even if being attacked from the inside. The locking box has both anti drill and anti force plates incorporated into its design to increase security, has the option of using a 40mm half euro profile cylinder, an offset euro profile double cylinder or an offset euro profile thumbturn cylinder and comes complete with a back plate to ensure easy installation. There is also a visual indicator to show if it's locked or unlocked. Please note that this product is handed according to the illustrations on page 25.

### Performance

Turning the key will engage the locking box and ensure that the Exidor 700 series bolts are deadlocked and cannot be opened by depressing the lever or the bar.

A red indicator panel shows that the locking box is in the locked status. The key is required to unlock the mechanism and the indicator panel will now show white to indicate that the 700 series bolts are active.

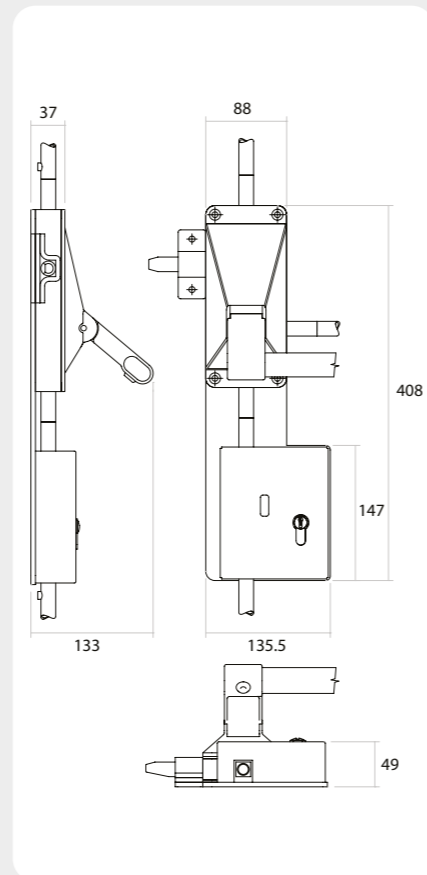
<b>705EC/LH</b>	Locking box with 40mm euro profile half cylinder - left handed
<b>705EC/RH</b>	Locking box with 40mm euro profile half cylinder - right handed
<b>705EA/LH</b>	Locking box with 40mm euro profile half cylinder aperture - left handed
<b>705EA/RH</b>	Locking box with 40mm euro profile half cylinder aperture - right handed
<b>705TC/LH</b>	Locking box with security escutcheon, with an offset euro profile double cylinder - left handed
<b>705TC/RH</b>	Locking box with security escutcheon, with an offset euro profile double cylinder - right handed
<b>705TA/LH</b>	Locking box with security escutcheon, suitable for use with an offset euro profile double cylinder, (not supplied) - left handed
<b>705TA/RH</b>	Locking box with security escutcheon, suitable for use with an offset euro profile double cylinder, (not supplied) - right handed

## Heavy duty escutcheon 707

The Exidor 707 high security escutcheon is designed for use with the 705 range of locking boxes. It is fitted over the Euro profile cylinder used with these products and offers protection against a physical attack on the outside of the door. Manufactured from hardened steel, the 707 is concealed fixed by bolting through from the locking box and provides protection against drilling.



705 EC/RH



707



## Heavy duty tower bolts

Epoxy powder coated with electro galvanised 19mm diameter steel shoot bolts, the heavy duty tower bolt range is designed to complement the Exidor 700 series high security bolts and panic and emergency hardware.

Suitable for both steel and timber doors and available with a range of keeps to suit different applications.

Heavy duty hexagonal head screw bolts are supplied for fixing



Heavy duty tower bolt

<b>HS923/10</b>	10" heavy duty tower bolt with standard keep for steel or timber flush doors and frames
<b>HS924/10</b>	10" heavy duty tower bolt with angled keep to suit outward opening doors with a timber frame and a 12mm recess
<b>HS925/10</b>	10" heavy duty tower bolt with angled keep to suit outward opening doors with a timber frame and a 19mm recess
<b>HS926/10</b>	10" heavy duty tower bolt with keep to suit inward opening doors with a timber frame

## Heavy duty tower bolt keeps

<b>PHS001</b>	Standard keep to suit steel or timber flush doors and frames
<b>PHS002</b>	Angled keep to suit outward opening doors with timber frames and a 12mm recess
<b>PHS003</b>	Angled keep to suit outward opening doors with timber frames and a 25mm recess
<b>PHS004</b>	Keep to suit inward opening doors with a timber frame
<b>PHS005</b>	Flat floor keep





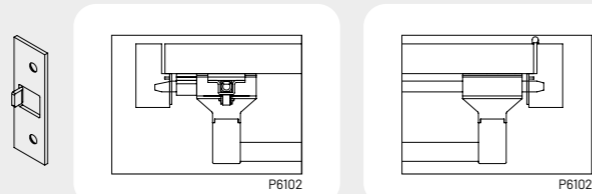
## Timber and steel doors

### Latch bolt and 4th point side keeps

#### P6102 Standard latch / hinge bolt keep

- Supplied as standard with the 701L/30, 703L/30, 704L/30, 704BD/30, 701B/30, 703B/30, 704B/30, 713L/30 and 714L/30

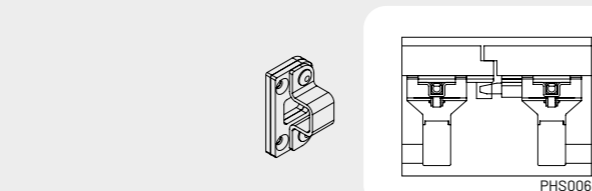
Construction: mild steel  
Finish: powder coated



#### PHS006 Double door keep

- Supplied as standard with the 701BD/30, 703BD/30, 742BD/30, 743BD/30, 704BD/30 and 733L/30

Construction: mild steel  
Finish: powder coated

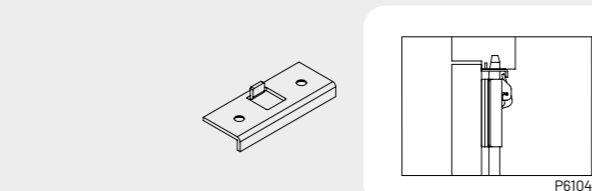


### Top bolt keeps

#### P6104 Standard top trip keep

- Supplied as standard with the 702L/30, 703L/30, 704L/30, 702B/30, 703B/30, 704B/30, 701BD/30, 702BD/30, 703BD/30, 742BD/30, 743BD/30, 704BD/30, 712L/30, 713L/30 and 714L/30

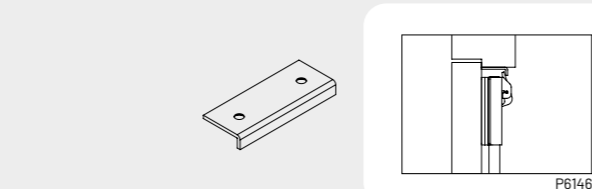
Construction: mild steel  
Finish: powder coated



#### P6146 Standard top trip plate for single point devices

- Supplied as standard with the 701L/30, 701B/30 and 701BD/30
- No clearance hole in the frame is required

Construction: mild steel  
Finish: powder coated

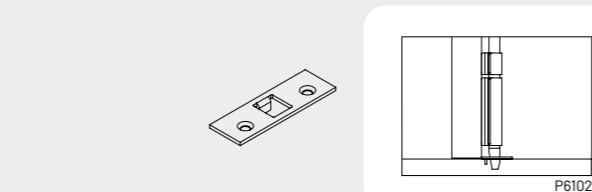


### Bottom bolt keeps

#### P6102 Standard flat bottom keep

- Supplied as standard with the 701L/30, 703L/30, 704L/30, 704BD/30, 701B/30, 703B/30, 704B/30, 713L/30 and 714L/30

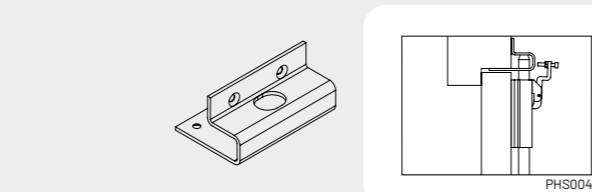
Construction: mild steel  
Finish: powder coated



#### PHS004 Inward opening keep

- Supplied as standard with the 732L/30 & 733L/30

Construction: mild steel  
Finish: powder coated



### Maintenance

It is important that all panic and emergency exit hardware devices are inspected and maintained properly to ensure safety is maintained when exiting a building in any situation. Once the device is fitted regular maintenance is recommended.

### Weekly:

- Make sure the exit device functions correctly
- Any fixings that have worked loose should be re-secured
- Any damaged components should be replaced
- Ensure there are no obstructions which prevent the panic/emergency exit unit from functioning correctly

### Every three months:

- Check for wear. Any visible worn components should be replaced

### Fixing/installation

Installation instructions are supplied with all the Exidor panic and emergency exit hardware. Provided the instructions are followed and the units are fitted by a competent person, the Exidor range will offer a high degree of safety and security. No responsibility can be accepted by the manufacturer if the installation instructions are not followed.

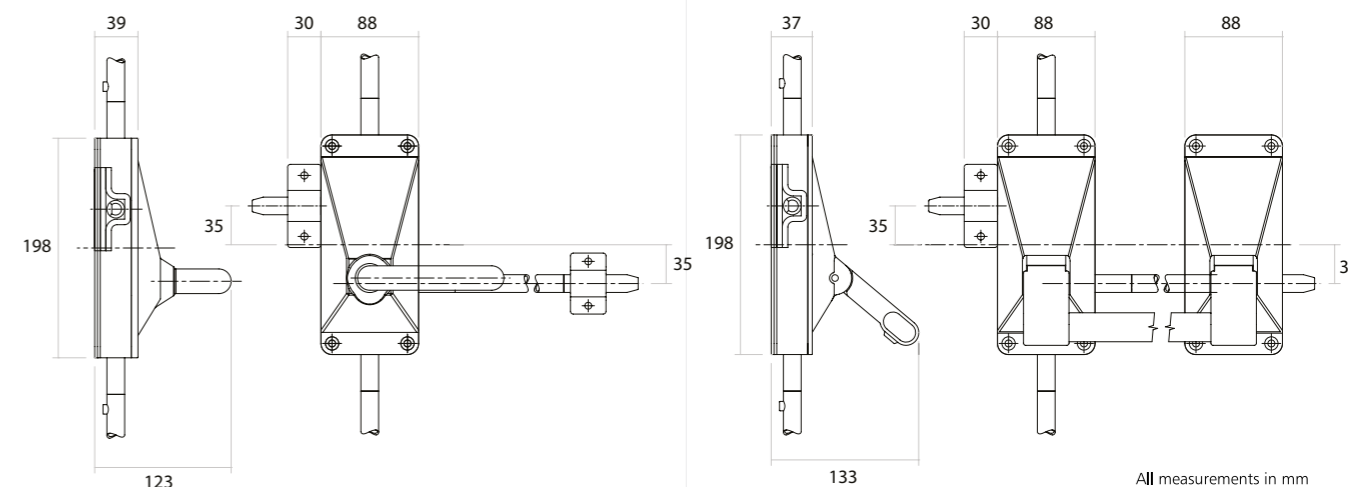
In order to meet the CEN European standards the door and frame should be of good quality and suitable to support the hardware. All bars and shoots should be cut to the exact size on site and each shoot is supplied with loose end plugs. Unless specified all the Exidor range is supplied with all the necessary fixings for timber frames and doors. However, for alternative fixings for steel doors please contact the manufacturer or your supplier.

### Construction

The main body and passive units are constructed from a mixture of steel and stainless steel. The internal components are manufactured from steel and shoot ends are of solid steel with tubular steel rods.

### Standard sizes

Standard sized units are suitable for doors up to 1220mm wide and 2440mm high. The shoot bolts and cross bars can be cut down on site to suit the door height and width. For larger doors above 2440mm high special size top shoot bolt lengths are available up on request.



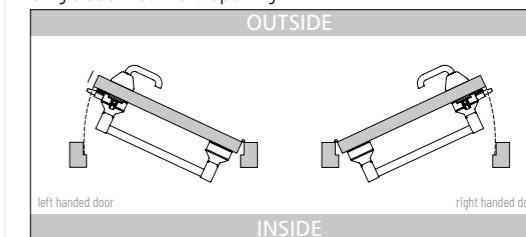
The following lengths are stocked by Exidor.

- 1210mm for doors up to 2440mm high (Standard size supplied)
- 1600mm for doors up to 2680mm high
- 2100mm for doors up to 3180mm high

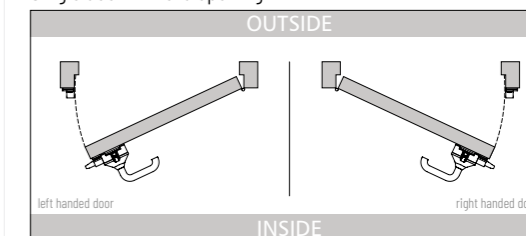
### Handing

The following diagrams identify if you require a left handed or right handed product, where applicable:

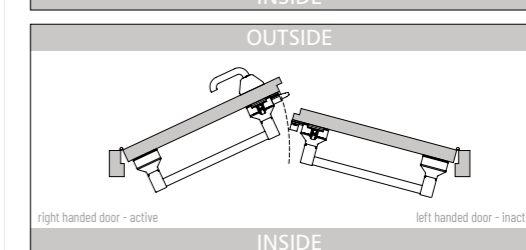
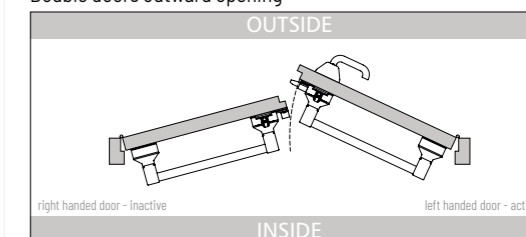
#### Single doors outward opening



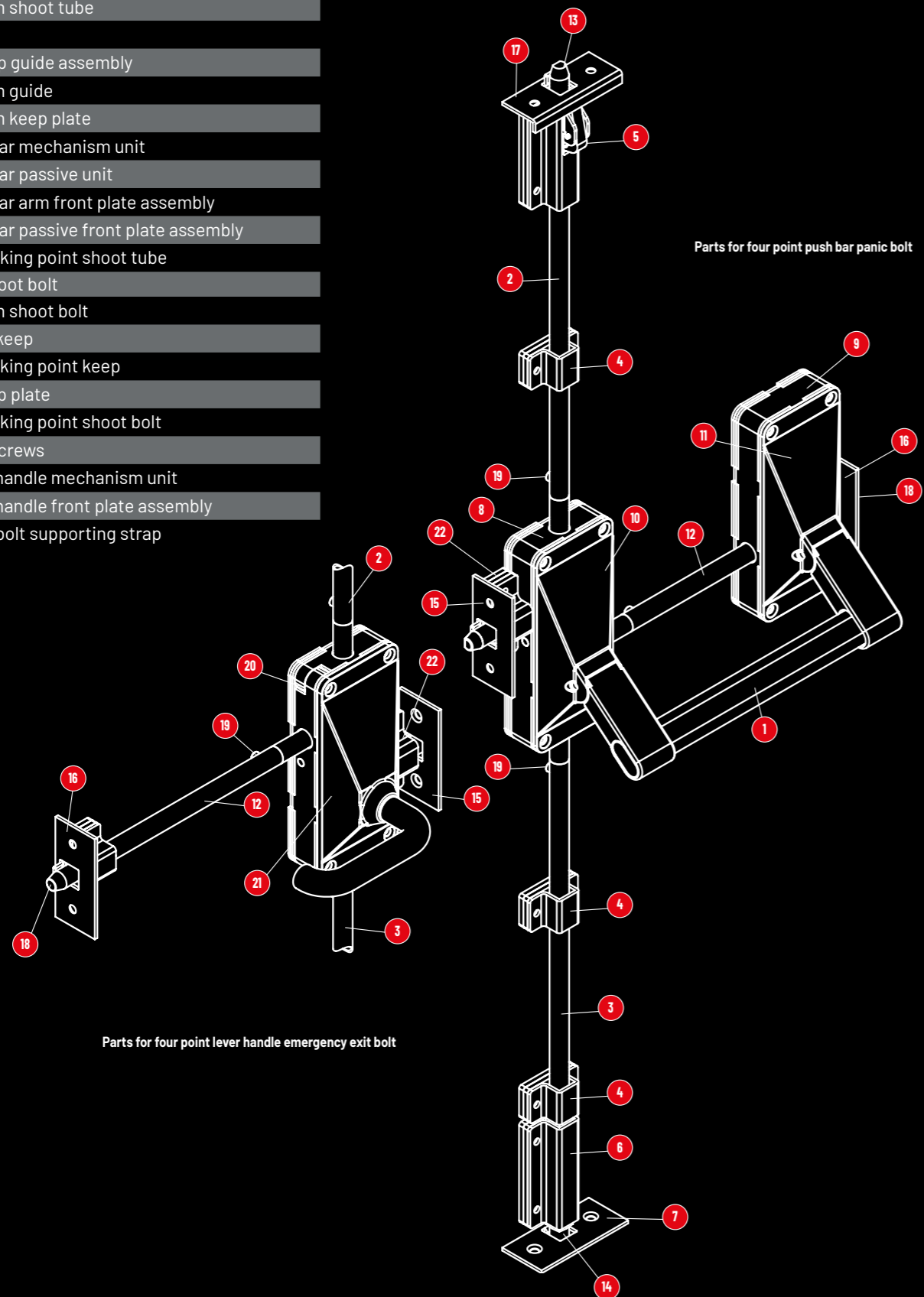
#### Single doors inward opening



#### Double doors outward opening



- 1 Panic push bar
- 2 Top shoot tube
- 3 Bottom shoot tube
- 4 Guide
- 5 Top trip guide assembly
- 6 Bottom guide
- 7 Bottom keep plate
- 8 Push bar mechanism unit
- 9 Push bar passive unit
- 10 Push bar arm front plate assembly
- 11 Push bar passive front plate assembly
- 12 4th locking point shoot tube
- 13 Top shoot bolt
- 14 Bottom shoot bolt
- 15 Latch keep
- 16 4th locking point keep
- 17 Top trip plate
- 18 4th locking point shoot bolt
- 19 Tube screws
- 20 Lever handle mechanism unit
- 21 Lever handle front plate assembly
- 22 Latch bolt supporting strap



The two standards for panic and emergency exit hardware are as follows:-

**EN1125: 2008**

For push bar and touch bar devices which can be used in any environment, particularly areas open to members of the public.

**Application examples:** shopping centres, areas of entertainment, public buildings



**EN179: 2008**

For push pad and lever handle devices which can only be used in areas where occupants of the building are familiar with the layout and means of escape, and where members of the public do not have access.

**Application examples:** factory, warehouse, offices



**Classification coding system for panic and emergency exit hardware**

Under both these two standards each product is tested and classified accordingly to show its compliance by the identification of a 10-digit code that is visible on the product and fitting instructions. Each digit represents a category and how it measured against the standard to which it was tested.

**Example:**

Digit	1	2	3	4	5	6	7	8	9	10
Classification No.	3	7	6	B	1	3	2	2	A	A



**Digit 1 – Category of use**

Only one category is identified  
 3 = high frequency of use where there is little incentive to exercise care, i.e. where there is a chance of an accident occurring and misuse.  
**Example:** Doors to shops, hospitals, schools and other buildings which provide access to designated areas and which are used by the public and others frequently carrying or propelling bulky objects

**Digit 2 – Durability**

6 = tested up to 100,000 cycles  
 7 = tested up to 200,000 cycle

**Digit 3 – Door mass**

5 = for doors up to 100kg  
 6 = for doors up to 200kg  
 7 = for doors over 200kg

**Digit 4 – Suitability for use on fire/smoke doors**

0 = not approved for use on fire / smoke door assemblies  
 A = suitable for use on smoke door assemblies  
 B = Suitable for use on fire and smoke door assemblies based on a test in accordance with EN1634-1

**Digit 5 – Safety**

Only the top grade is allowed on panic and emergency exit hardware  
 1 = safety

**Digit 6 – Corrosion resistance to EN 1670**

3 = high resistance  
 4 = very high resistance

**Digit 7 – Security for product**

EN 1125  
 2 = 1,000 N – this is the only grade allowed under EN 1125

EN 179  
 2 = 1,000N / 3 = 2,000N / 4 = 3,000N / 5 = 5,000N  
 These four grades are used to allow the opportunity of greater security because these devices are subject to testing with doors under a greater pressure.

**Digit 8 – Projection of device**

1 = large projection (projection of 150mm from the face of the door)  
 2 = standard projection (projection of 100mm from the face of the door)

**Digit 9 – Type of device**

EN 179  
 A = emergency device using a lever handle  
 B = emergency device using a push pad

EN 1125  
 A = panic device using a push bar  
 B = panic device using a touch bar

**Digit 10 – Door application**

EN 179  
 A = outwardly opening single exit door, double exit door: active or inactive leaf  
 B = outwardly opening single exit door only  
 C = outwardly opening double exit door: inactive leaf only  
 D = inwardly opening single exit door only

EN 1125  
 A = single door, double door: active or inactive leaf  
 B = single door only  
 C = double door, inactive leaf only

**Emergency exit hardware**

Products that are classified as emergency exit hardware offer a single operation of a lever or push pad to release the device. These are certified to EN 179 and can be used on premises that require prior knowledge of its operation and where panic situations are not foreseen, such as offices and areas that are not open to the public.

**Panic exit hardware**

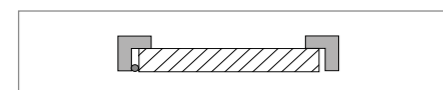
Products that are classified as panic exit hardware offer a single operation of a push bar or touch bar to release the device. These are certified to EN 1125 and can be used on premises that do not require prior knowledge of its operation and where panic situations are foreseen, such as places of entertainment, public buildings and areas open to the public.

**Rebated doors**

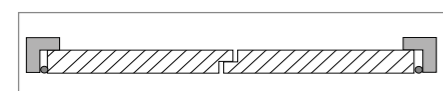
A pair of double doors that are rebated.

**Non-rebated doors**

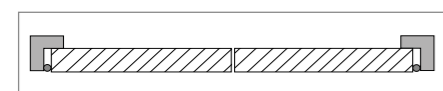
A pair of double doors that are flush fitting.



Single Door



Rebated Doors



Non-Rebated Doors

**Mechanism unit**

This is the main unit that controls the travel of the bolts and latches.

**Automatic top trip**

Device used to hold the bolts in the withdrawn position when the door is open. When the door is closed too, the automatic top trip releases the bolts securing the door.

**Anti-thrust**

A device built into a unit to prevent either a bolt or latch from being forced back when in the closed position, thus increasing the level of security.

**Adjustable shoots**

To overcome the problem of bolts not fully engaging in the keeps due to the door or frame moving after a period of time, adjustable shoots are available on Exidor panic bolts. They allow ± 5mm of adjustment, and are particularly suited for soft wood, upvc and steel doors.

**Passive unit**

The passive unit supports the cross bar on any panic hardware.

**Microswitch**

For situations that require the panic hardware to be linked to a monitoring or alarm system a micro switch can be fitted in the passive unit. The micro switch closes an electrical circuit when the cross bar is operated.

**Multi bolt**

The high security multi-bolt is a deadlocking option for use where panic or emergency escape is not required.

When activated, the unit is deadlocked to prevent access from the outside, and is only released by withdrawal of the deadbolt by the key/turn of the nightlatch lever.

**Single doors**

Product No.	Description	EN Standard		Door type (opening)		CE Mark	Fire Rated	Steel Door Fixings	Timber Door Fixings	Deadlocking Function	Locking Points
		179	1125	Inward	Outward						
701B/30T	Push bar single panic latch		●		●	●	●		●		1
701B/30S	Push bar single panic latch		●		●	●	●	●			1
701L/30T	Lever operated single emergency exit latch	●			●	●	●		●		1
701L/30S	Lever operated single emergency exit latch	●			●	●	●	●			1
702B/30T	Push bar single panic bolt		●		●	●	●		●		2
702B/30S	Push bar single panic bolt		●		●	●	●	●			2
702L/30T	Lever operated single emergency exit bolt	●			●	●	●		●		2
702L/30S	Lever operated single emergency exit bolt	●			●	●	●	●			2
732L/30T	Lever operated single emergency exit bolt	●			●	●	●		●		2
732L/30S	Lever operated single emergency exit bolt		●		●	●	●	●			2
703B/30T	Push bar three point panic bolt		●		●	●	●		●		3
703B/30S	Push bar three point panic bolt	●			●	●	●	●			3
703L/30T	Lever operated three point emergency exit bolt	●			●	●	●		●		3
703L/30S	Lever operated three point emergency exit bolt	●		●		●	●	●			3
733L/30T	Lever operated three point emergency exit bolt	●		●		●	●		●		3
733L/30S	Lever operated three point emergency exit bolt		●		●	●	●	●			3
704B/30T	Push bar four point panic bolt		●		●	●	●		●		4
704B/30S	Push bar four point panic bolt	●			●	●	●	●			4
704L/30T	Lever operated four point emergency exit bolt	●			●	●	●		●		4
704L/30S	Lever operated four point emergency exit bolt				●	●	●	●			4
712L/30T	Lever operated high security two point multi-bolt				●				●	●	2
712L/30S	Lever operated high security two point multi-bolt				●			●		●	2
713L/30T	Lever operated high security three point multi-bolt				●				●	●	3
713L/30S	Lever operated high security three point multi-bolt				●			●		●	3
714L/30T	Lever operated high security four point multi-bolt				●				●	●	4
714L/30S	Lever operated high security four point multi-bolt				●			●		●	4

**Double doors**

Product No.	Description	EN Standard		Door type (opening)		CE Mark	Fire Rated	Steel Door Fixings	Timber Door Fixings	Deadlocking Function	Locking Points
		179	1125	Inward	Outward						
701BD/30T	Three point Locking double door set		●		●	●	●		●		3
701BD/30S	Three point locking double door set		●		●	●	●	●			3
742BD/30T	Four point locking CE marked double door set		●		●	●	●		●		4
742BD/30S	Four point locking CE marked double door set		●		●	●	●	●			4
702BD/30T	Four point locking double door set				●				●		4
702BD/30S	Four point locking double door set				●			●			4
743BD/30T	Five point locking CE marked double door set		●		●	●	●		●		5
743BD/30S	Five point locking CE marked double door set		●		●	●	●	●			5
703BD/30T	Five point locking double door set				●				●		5
703BD/30S	Five point locking double door set				●			●			5
704BD/30T	Seven point locking double door set				●				●		7
704BD/30S	Seven point locking double door set				●			●			7



ASSA ABLOY

---

#### UN459 version 1

ASSA ABLOY Opening Solutions UK & Ireland, Door Hardware Group,  
School Street, Willenhall, West Midlands WV13 3PW, UK

Tel: 0845 223 2124

Email: [csdcomm@assaabloy.com](mailto:csdcomm@assaabloy.com)

Web: [uniononline.co.uk](http://uniononline.co.uk)

Every effort has been made to ensure the accuracy of product information at time of publication in November 2021. We are continually developing our products and reserve the right to change the specification of the products within this catalogue with or without prior notice. Subject to our Terms and Conditions of trading, a copy of our T's and C's is available upon request.

For further help or information, please visit [uniononline.co.uk](http://uniononline.co.uk) or call our customer service team.



certifire

Performance you can trust